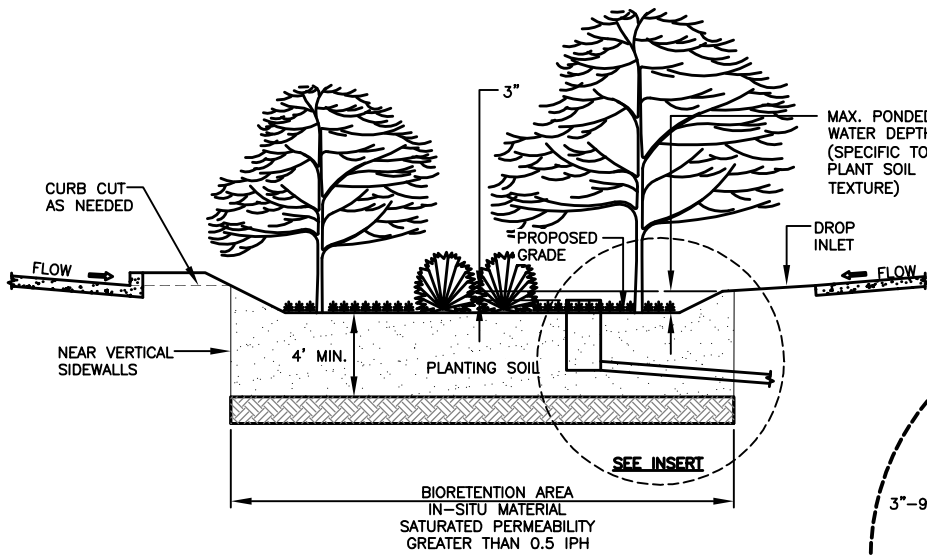
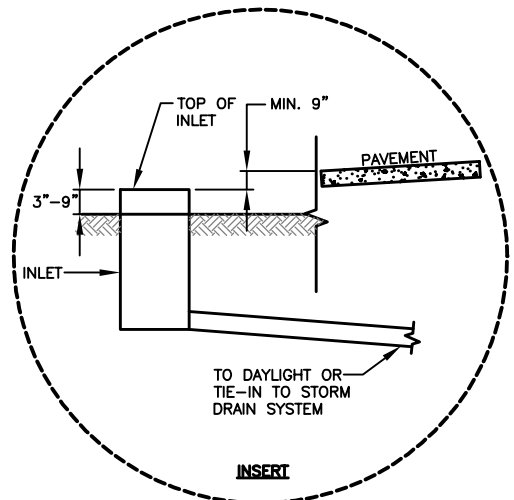


(1) RIGHT OF WAY TO RUN ALONG BACK OF THE CURB FOR TOWNHOUSE ROADS.



BIORETENTION SCHEMATIC

- NOTES:
1. THESE DETAILS ARE NOT APPLICABLE TO MINI ROADS OR TEMPORARY TEE TURNAROUNDS.
 2. CURB REQUIRED ON PAVEMENT CROSS SLOPES 2% AND GREATER.
 3. CENTER AREA MAY ALSO BE LANDSCAPED.



CECIL
COUNTY
DEPARTMENT
OF
PUBLIC WORKS

STANDARD ROAD & STREET DETAILS
**RESIDENTIAL
CUL-DE-SAC AND INTERMEDIATE TURNAROUND
CROSS SECTIONS**

REVISED	
05/07	
R-17	