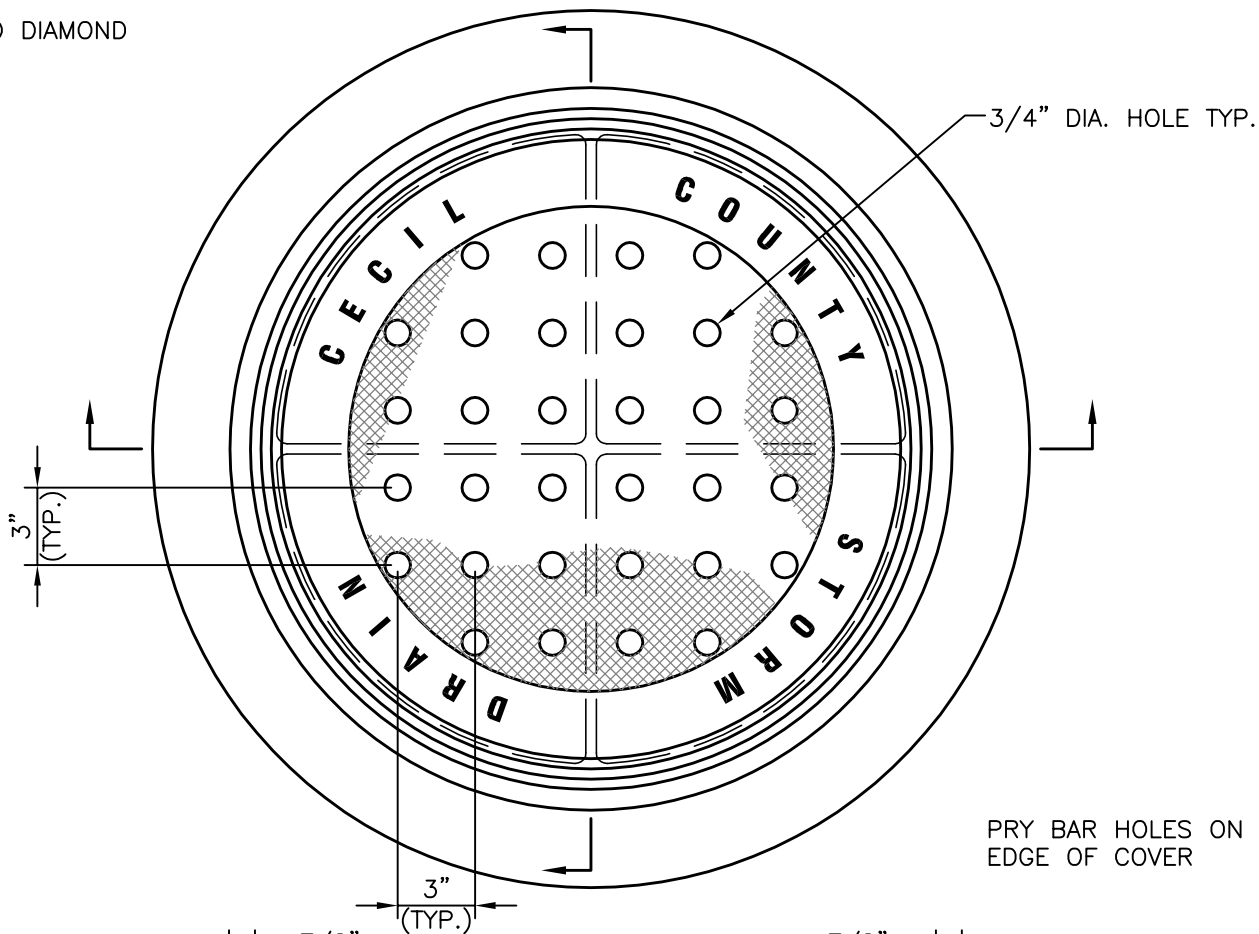
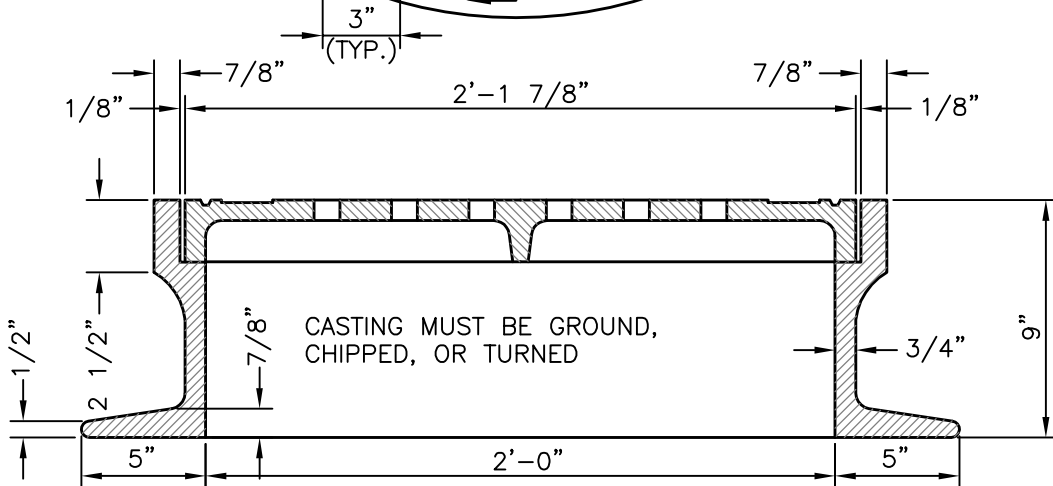


STANDARD DIAMOND
GRID

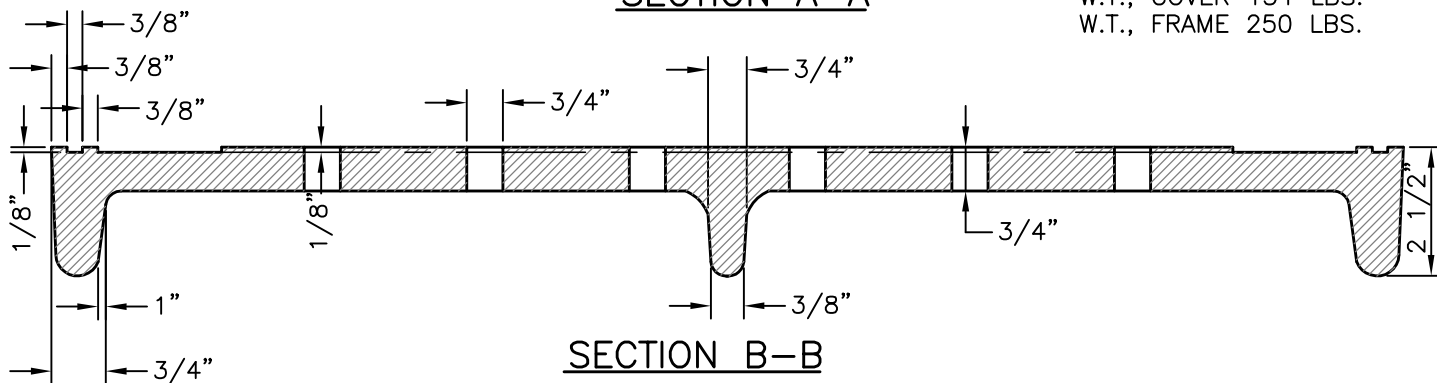


PRY BAR HOLES ON
EDGE OF COVER



SECTION A-A

W.T., COVER 134 LBS.
W.T., FRAME 250 LBS.



SECTION B-B

CECIL COUNTY DEPARTMENT OF PUBLIC WORKS	STANDARD ROAD & STREET DETAILS	REVISED
	24" HEAVY TRAFFIC MANHOLE FRAME AND COVER	05/07
		R-33